

# SWING DOOR DRIVE UNIT

## GILGEN FD 10



**Compact and reliable drive mechanism for use in areas with heavy footfall. This low-noise electromechanical drive unit comes in an impressively sleek package. Its design is both robust and vandal-resistant, making it suitable for any location.**

- Compatible with single/two-leaf doors and interlock accesses
- Controlled, spring-actuated closure with motor assistance
- The drive mechanism has a built-in travel stop
- Freely selectable Full Power and Low Energy functions in a single drive mechanism
- Assisted-opening option, with servo function
- Terminals for connecting accessories such as locks, security/safety elements or operating controls
- Voltage-free outputs for acknowledgements to, for example, the building management system (via relay PCB)
- Simple to set up and operate via the integrated graphic display screen
- TÜV approved and complies with the pertinent standards and requirements (e.g. EN 16005, DIN 18650)

### Range of application

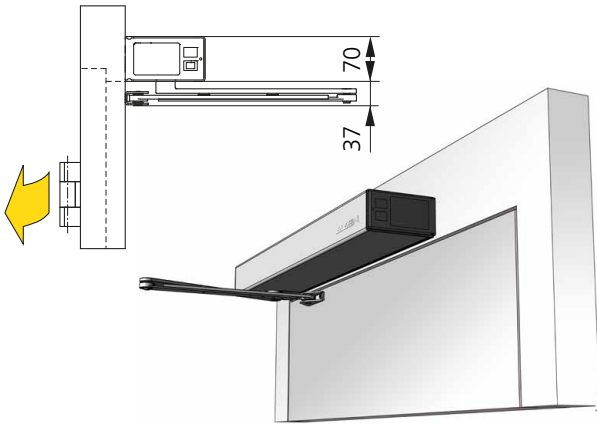
Max. door leaf weight	150 kg
Door sizes single leaf	730 – 1100mm
Door sizes two-leaf	1460 – 2200mm
Max. opening angle	105°

### Dimensions of drive system

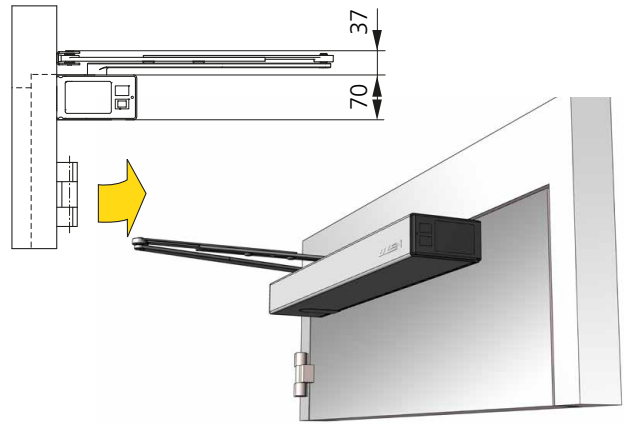
Height	70 mm
Width	730 mm
Depth	125 mm

# Possible applications

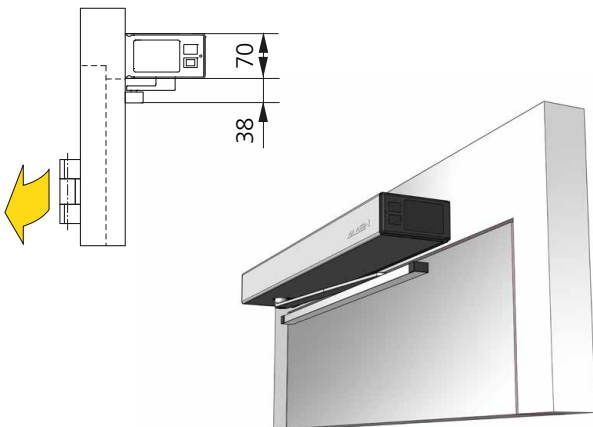
**Standard rods with pushing function**  
**Lintel installation**



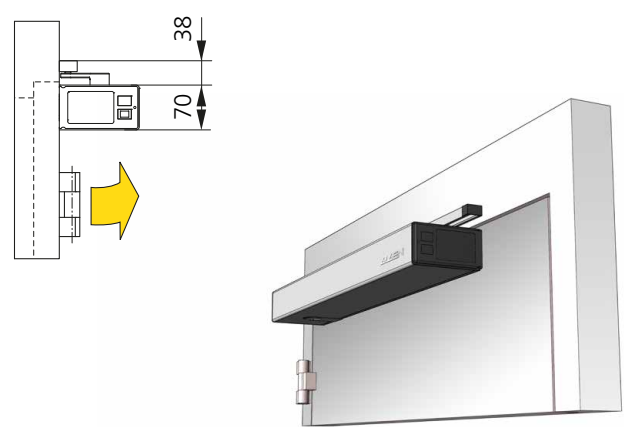
**Standard rods with pushing function**  
**Door leaf installation**



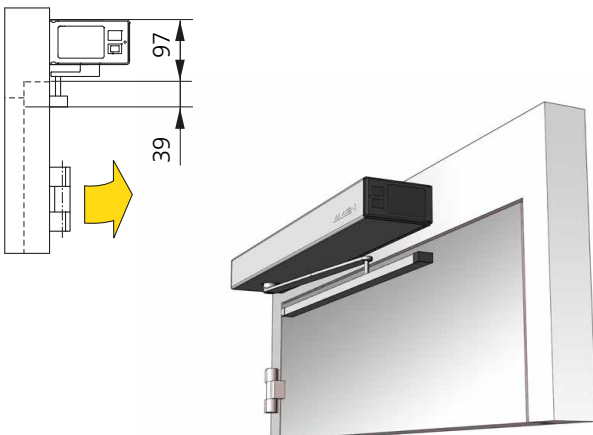
**Sliding rods with pushing function**  
**Lintel installation**



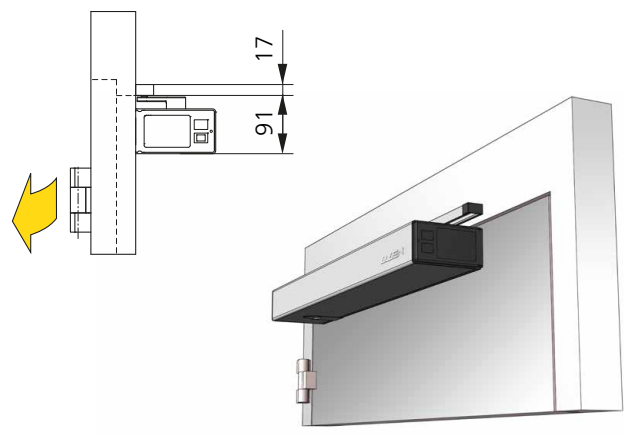
**Sliding rods with pushing function**  
**Door leaf installation**



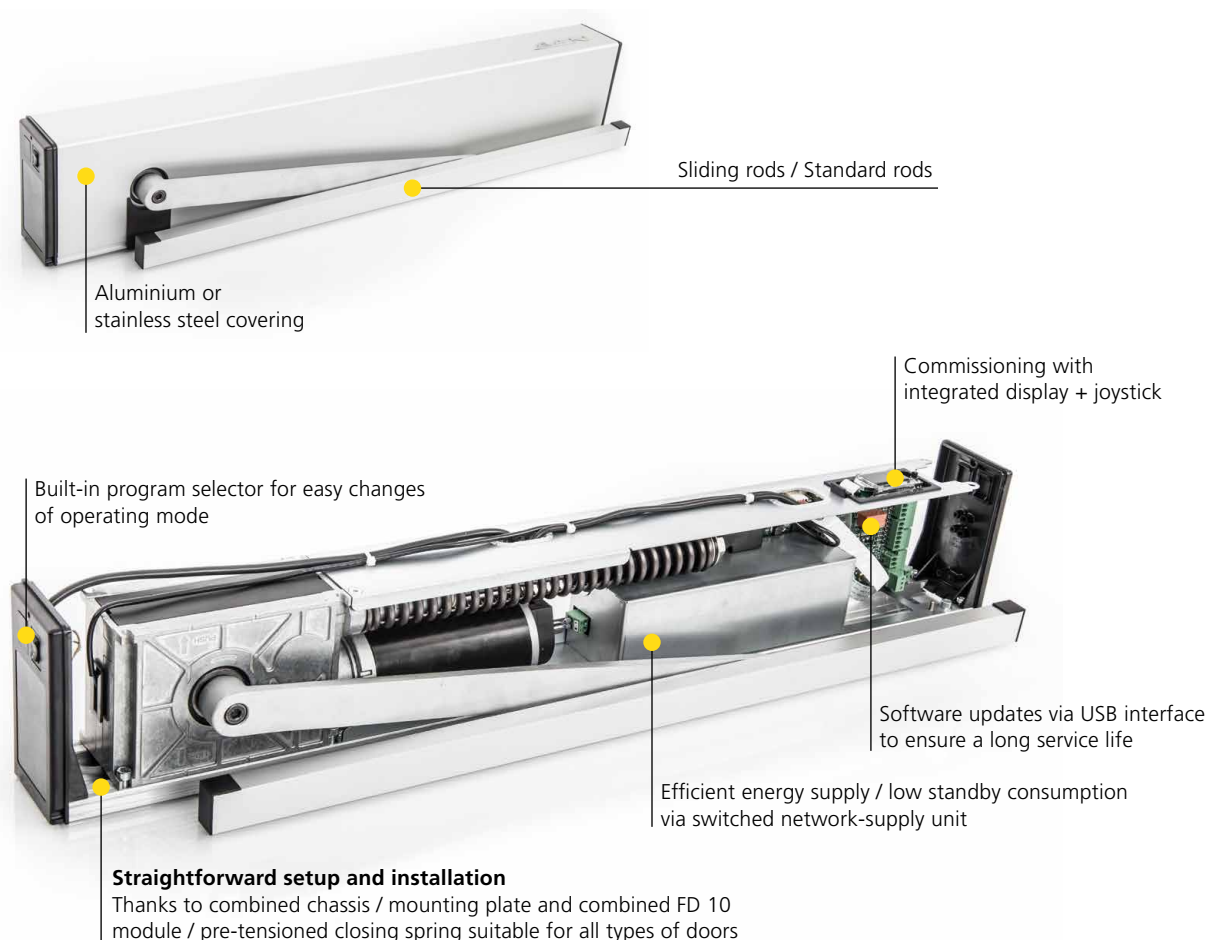
**Sliding rods with pulling function**  
**Lintel installation**



**Sliding rods with pulling function**  
**Door leaf installation**



## Technical data



Power transfer	Standard rods (pushing function) Sliding rods (pushing and pulling function)
Weight of drive system	8.2kg
Protection rating	IP 20
Ambient temperature	-15 to +50 °C
Operating voltage	230 VAC (+10/-15 %), 50 Hz, 10/13 A
Power consumption of drive system	maxx 350 W
Rated motor capacity	100 W
Stand-by consumption	4 W
Power supply, external user	24 VDC (±10 %), 1,4 A
Lintel depth standard rods	max. 250 mm
Lintel depth sliding rods	-50 / +150 mm
Opening speed	max. 40°/s
Closing speed	max. 40°/s
Relative humidity	max. 85 %
Output shaft torque	permanent max. 56 Nm short max. 165 Nm

